

Werk

Titel: Journal für die reine und angewandte Mathematik

Verlag: de Gruyter

Jahr: 1891

Kollektion: Mathematica

Digitalisiert: Niedersächsische Staats- und Universitätsbibliothek Göttingen

Werk Id: PPN243919689_0107

PURL: http://resolver.sub.uni-goettingen.de/purl?PPN243919689_0107

LOG Id: LOG_0029

LOG Titel: On some problems of orthomorphanis.

LOG Typ: illustration

Übergeordnetes Werk

Werk Id: PPN243919689

PURL: <http://resolver.sub.uni-goettingen.de/purl?PPN243919689>

Terms and Conditions

The Goettingen State and University Library provides access to digitized documents strictly for noncommercial educational, research and private purposes and makes no warranty with regard to their use for other purposes. Some of our collections are protected by copyright. Publication and/or broadcast in any form (including electronic) requires prior written permission from the Goettingen State- and University Library.

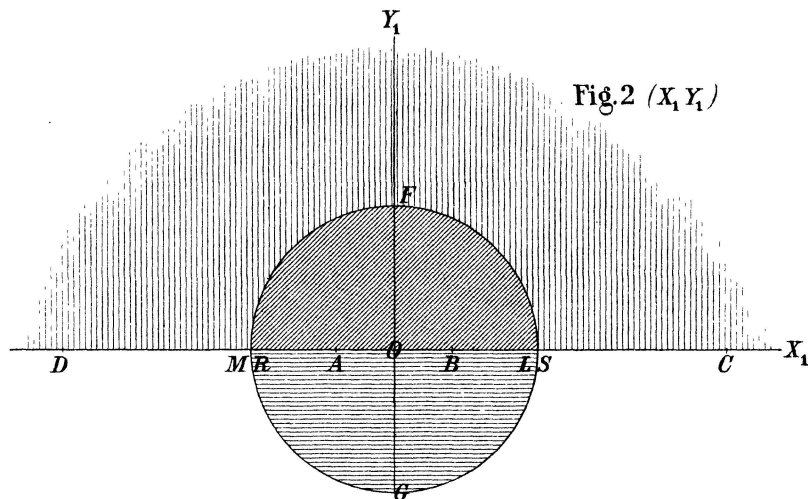
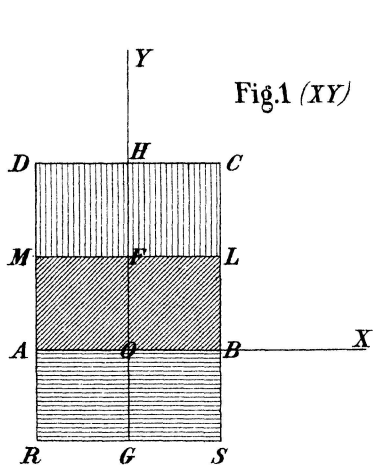
Each copy of any part of this document must contain these Terms and Conditions. With the usage of the library's online system to access or download a digitized document you accept the Terms and Conditions.

Reproductions of material on the web site may not be made for or donated to other repositories, nor may be further reproduced without written permission from the Goettingen State- and University Library.

For reproduction requests and permissions, please contact us. If citing materials, please give proper attribution of the source.

Contact

Niedersächsische Staats- und Universitätsbibliothek Göttingen
Georg-August-Universität Göttingen
Platz der Göttinger Sieben 1
37073 Göttingen
Germany
Email: gdz@sub.uni-goettingen.de



Figures 1, 2, 4 are drawn on the same scale, with the value $k=3-2\sqrt{2}$; Figures 3 and 5 on the double scale. Figures 6 and 7 are on the same scale.

